



LEFROY BROOKS

1 8 2 8 T R O U T M A N S T R E E T
R I D G E W O O D N E W Y O R K N Y 1 1 3 8 5 U S A
T : + 1 (7 1 8) 3 0 2 5 2 9 2 F : + 1 (7 1 8) 3 0 2 4 1 7 7

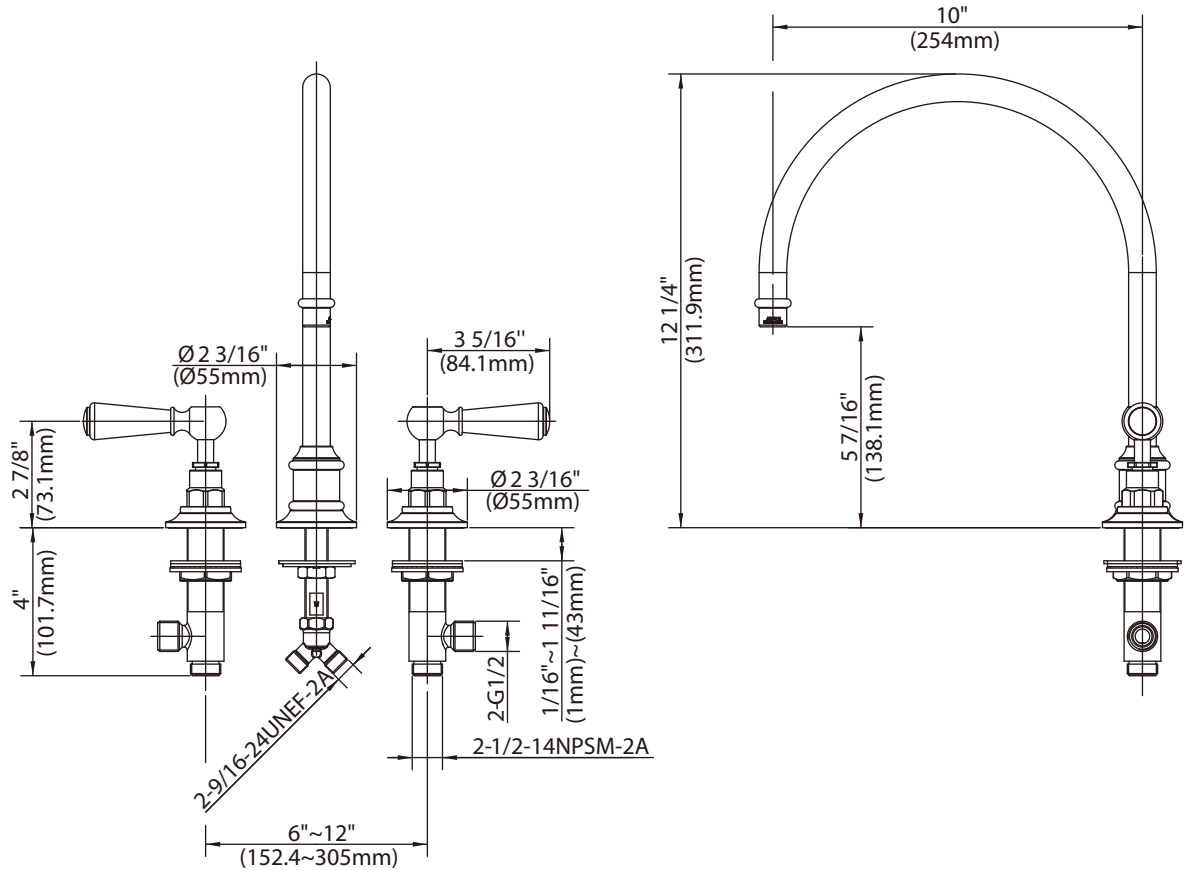
CB-4711 (BL1560)

BLACK LEVER TUBULAR 3-HOLE KITCHEN MIXER

DIMENSIONAL DATA SHEET

DATE: 27 November 2013

No: F86J6000



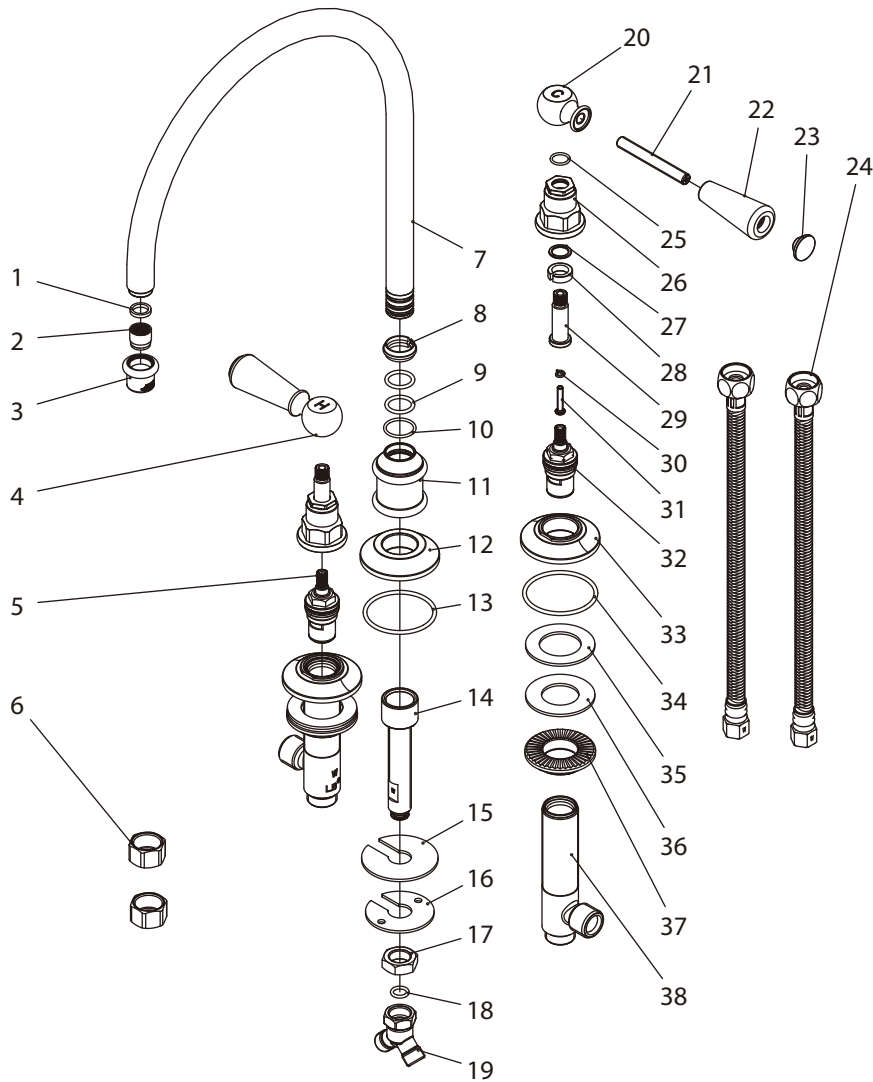
COPYRIGHT © LBIP LTD 2012. ALL RIGHTS RESERVED.

DIMENSIONS IN INCHES & MILLIMETRES

WHILST EVERY EFFORT IS MADE TO ENSURE THE ACCURACY OF THESE DATA SHEETS THEY ARE SUBJECT TO CHANGE WITHOUT NOTICE AS PART OF THE COMPANY'S PRODUCT DEVELOPMENT PROCESS

CB-4711 (BL1560)

BLACK LEVER TUBULAR 3-HOLE KITCHEN MIXER

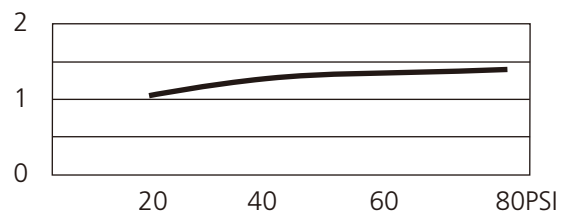


1	Oil seal (010519N)	14	Connecting tub (014905W)	27	Washer (013224)
2	Aerator insert (553661N)	15	Oil seal (058094)	28	Clip (012242)
3	Aerator housing (305849N-54)	16	Washer (013006)	29	Stem extension (110461)
4	Adaptor (H) (205143H)	17	Nut (009015)	30	Washer (013570)
5	Cartridge (H) (507175N)	18	O-ring (004026N)	31	Screw (008744)
6	Copper nut (504003)	19	Connector (015004W)	32	Cartridge (C) (507176N)
7	Spout sssembly (139871W)	20	Adaptor (C) (205143C)	33	Escutcheon (215486)
8	Clip (012003)	21	Handle stem (017094)	34	O-ring (004627)
9	O-ring (004005N)	22	Handle sleeve (108924)	35	Oil seal (010017)
10	O-ring (004109N)	23	Handle-end cap (109376)	36	Washer (013158)
11	Canopy (000088)	24	Flexible hose (105750W)	37	Nut (009834)
12	Escutcheon (303461)	25	O-ring (048085)	38	Side body (061893W)
13	O-ring (004617)	26	Canopy (018220)		

Standards

IAPMO/cUPC Listed
Meets NSF 61-9
Meets A112.18.1

Flow Rate



Please note :

Final achievable flow rate is dependent on the outlets fitted, see relevant outlets (spouts, roses, sprays) for fully assembled product flow rate.