



LEFROY BROOKS

1 8 2 8 T R O U T M A N S T R E E T
R I D G E W O O D N E W Y O R K N Y 1 1 3 8 5 U S A
T: +1(718) 302 5292 F: +1(718) 302 4177

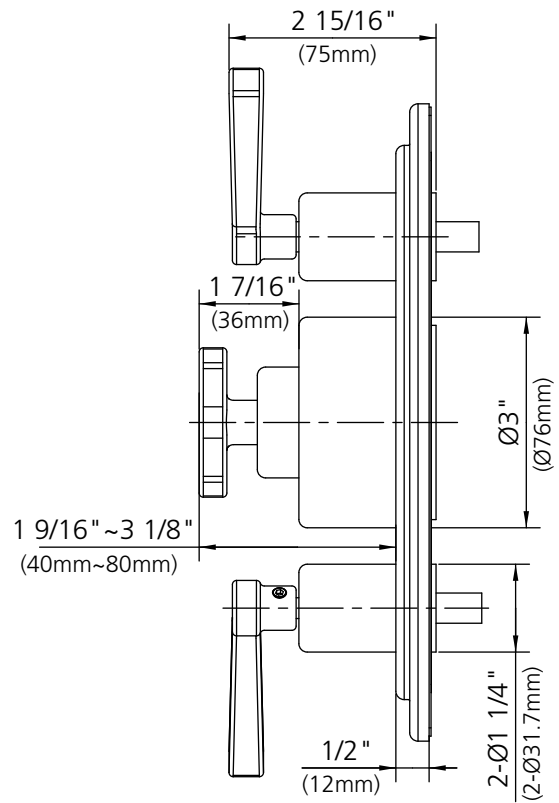
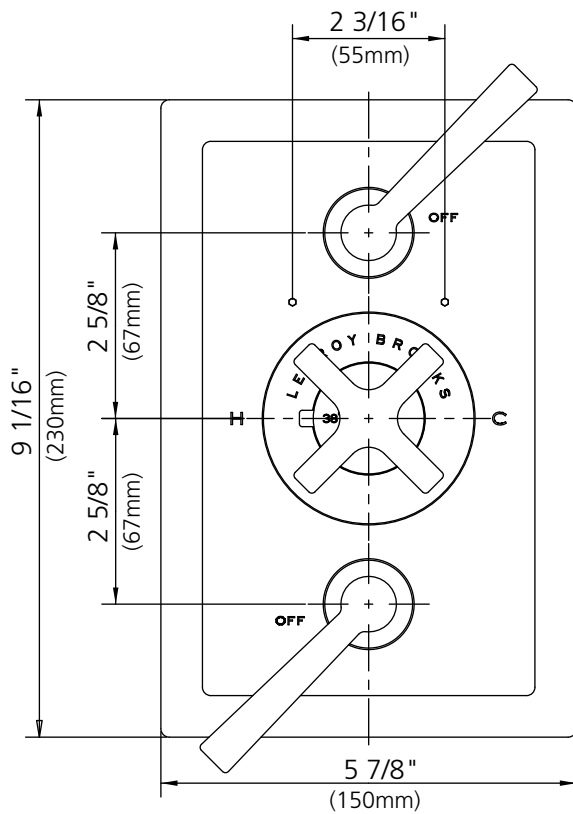
M1-4403

THREE HANDLE THERMOSTATIC TRIM ONLY
(2 LEVER, 1 CROSS HANDLE), TO SUIT M1-4202 ROUGH

DIMENSIONAL DATA SHEET

DATE: 1 July 2009

No: A667829



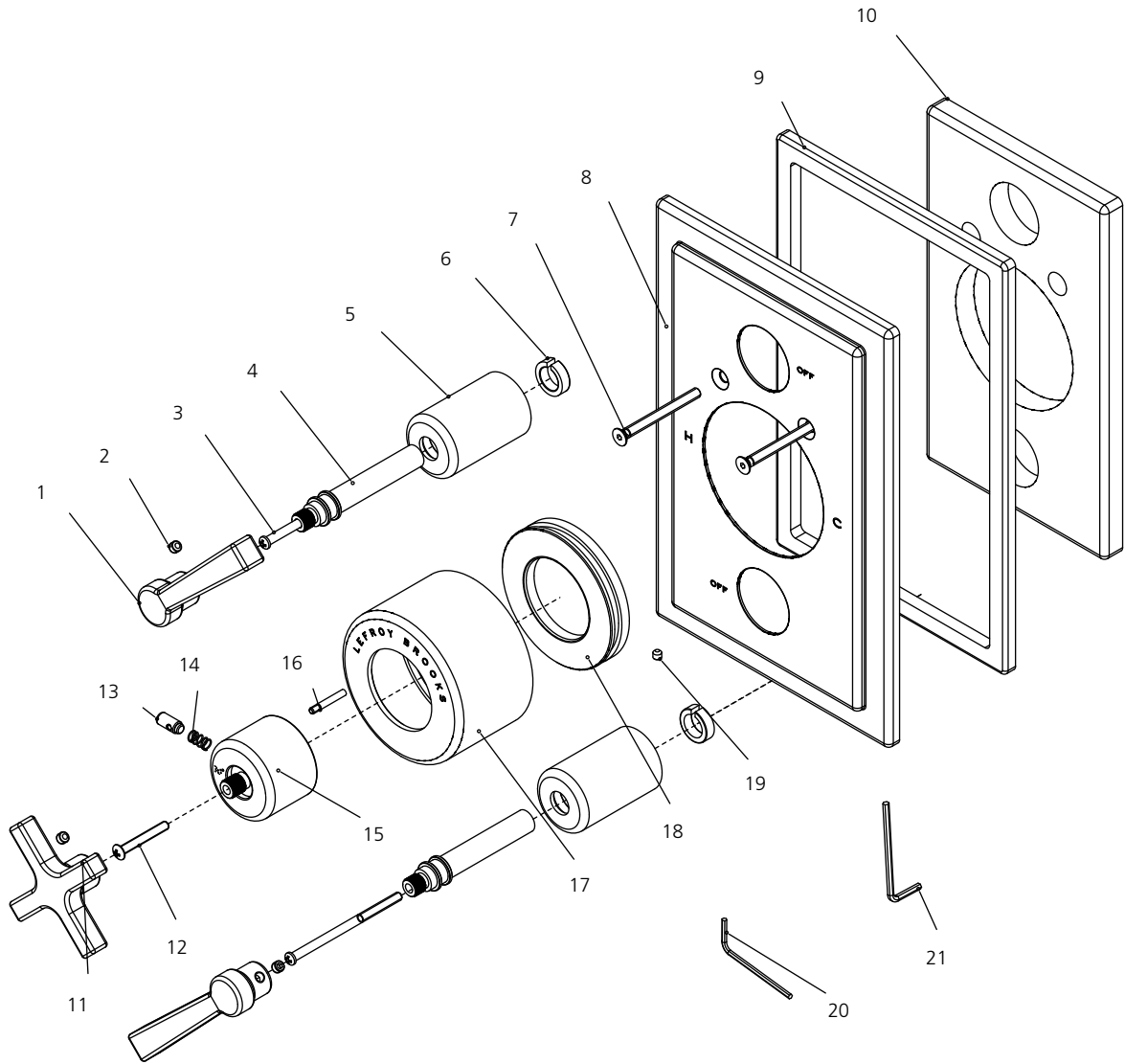
©COPYRIGHT 2009. CHRISTO LEFROY BROOKS. ALL RIGHTS RESERVED.

DIMENSIONS IN INCHES & MILLIMETRES

WHILST EVERY EFFORT IS MADE TO ENSURE THE ACCURACY OF THESE DATA SHEETS THEY ARE SUBJECT TO CHANGE WITHOUT NOTICE AS PART OF THE COMPANY'S PRODUCT DEVELOPMENT PROCESS

M1-4403

THREE HANDLE THERMOSTATIC TRIM ONLY (2 LEVER, 1 CROSS HANDLE), TO SUIT M1-4202 ROUGH



- | | | | |
|----|-------------------------|----|-------------------------|
| 1 | Handle (029686) | 12 | Screw (008994) |
| 2 | Set screw (292598) | 13 | Button (036272) |
| 3 | Screw (008196) | 14 | Spring (005157) |
| 4 | Spindle (110386) | 15 | Adaptor (067960-50) |
| 5 | Canopy (018960) | 16 | Pin (003147) |
| 6 | Clip (012242) | 17 | Canopy (018959-50) |
| 7 | Screw (008186) | 18 | Adjusting ring (104295) |
| 8 | Front panel (006582-50) | 19 | Set screw (065086) |
| 9 | Seal (010939) | 20 | Allen wrench (031003) |
| 10 | Seal (013817) | 21 | Allen wrench (031000) |
| 11 | Handle (029685) | | |