



LEFROY BROOKS

1 8 2 8 T R O U T M A N S T R E E T
R I D G E W O O D N E W Y O R K N Y 1 1 3 8 5 U S A
T: +1(718) 302 5292 F: +1(718) 302 4177

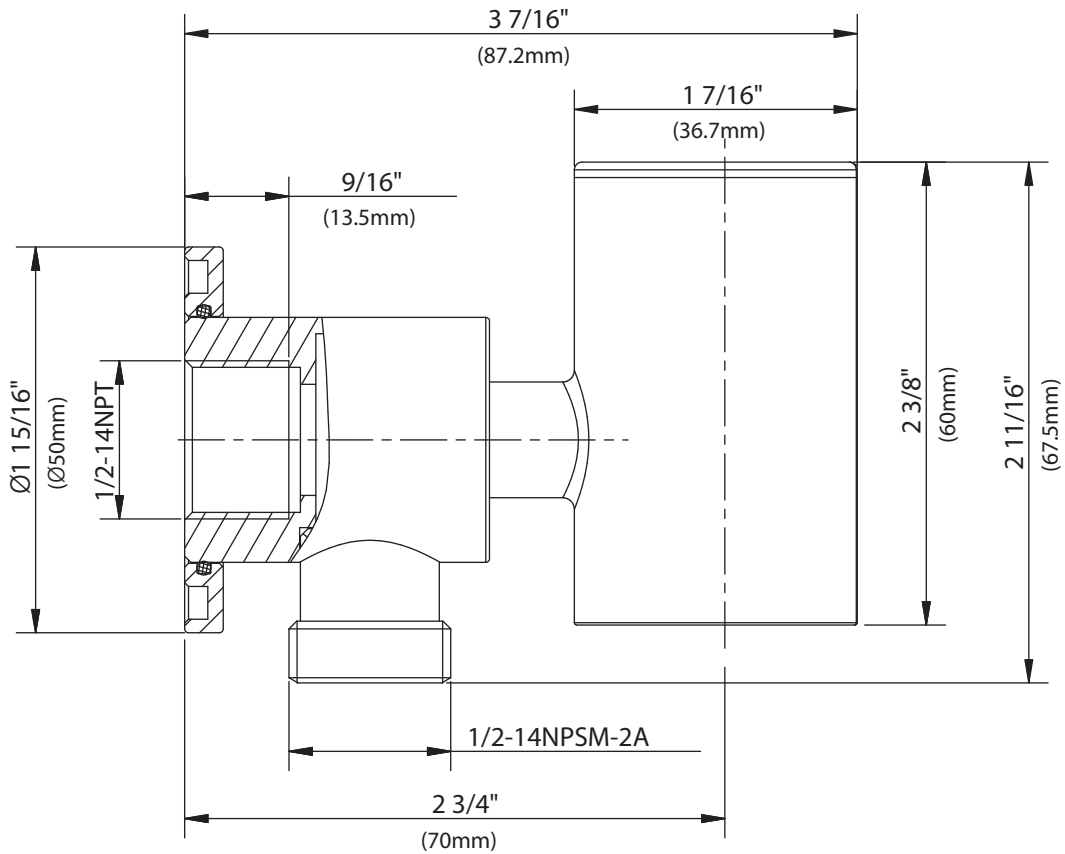
Y1-1075

WALL OUTLET & HAND SHOWER HOLSTER, TO SUIT Y1-1055

DIMENSIONAL DATA SHEET

DATE: 23 May 2011

No: 558211



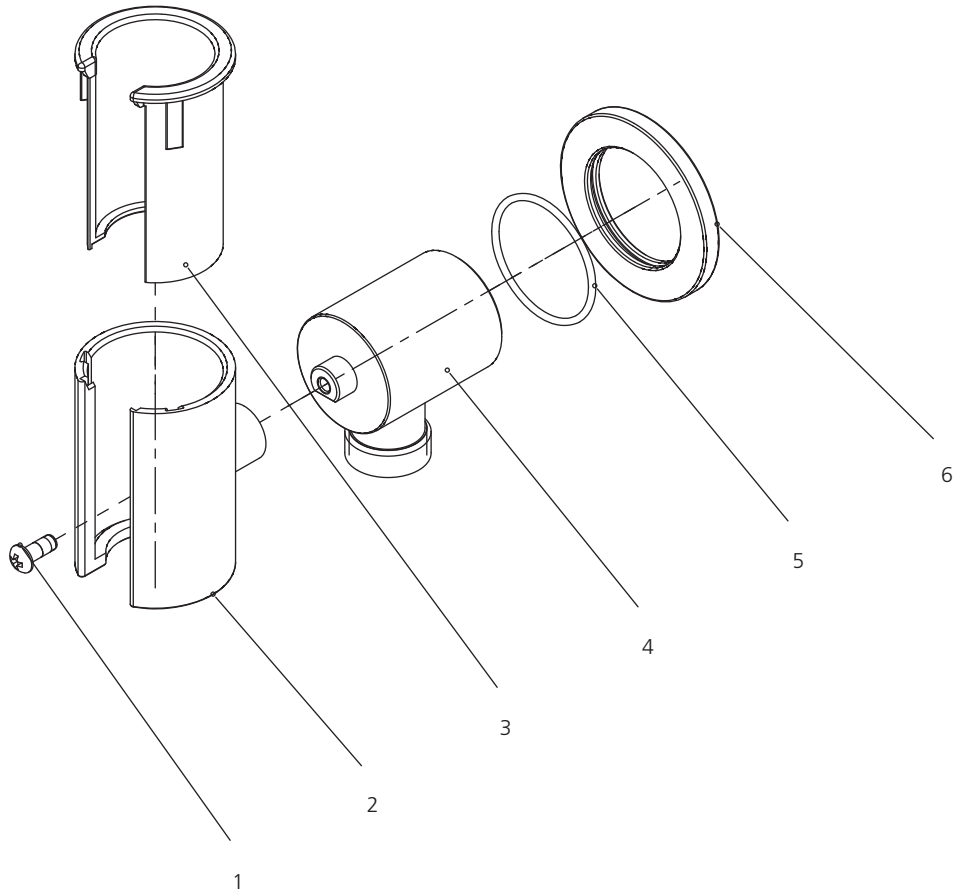
©COPYRIGHT 2009. CHRISTO LEFROY BROOKS. ALL RIGHTS RESERVED.

DIMENSIONS IN INCHES & MILLIMETRES

WHILST EVERY EFFORT IS MADE TO ENSURE THE ACCURACY OF THESE DATA SHEETS THEY ARE SUBJECT TO CHANGE WITHOUT NOTICE AS PART OF THE COMPANY'S PRODUCT DEVELOPMENT PROCESS

Y1-1Y1-1075007

WALL OUTLET & HAND SHOWER HOLSTER, TO SUIT Y1-1055



- 1 Screw (008154)
- 2 Bracket (112642)
- 3 Liner (112643)
- 4 Body (117046)
- 5 O-ring (063062N)
- 6 Decorative cap (117034)

Standards

Meets A112.18.1